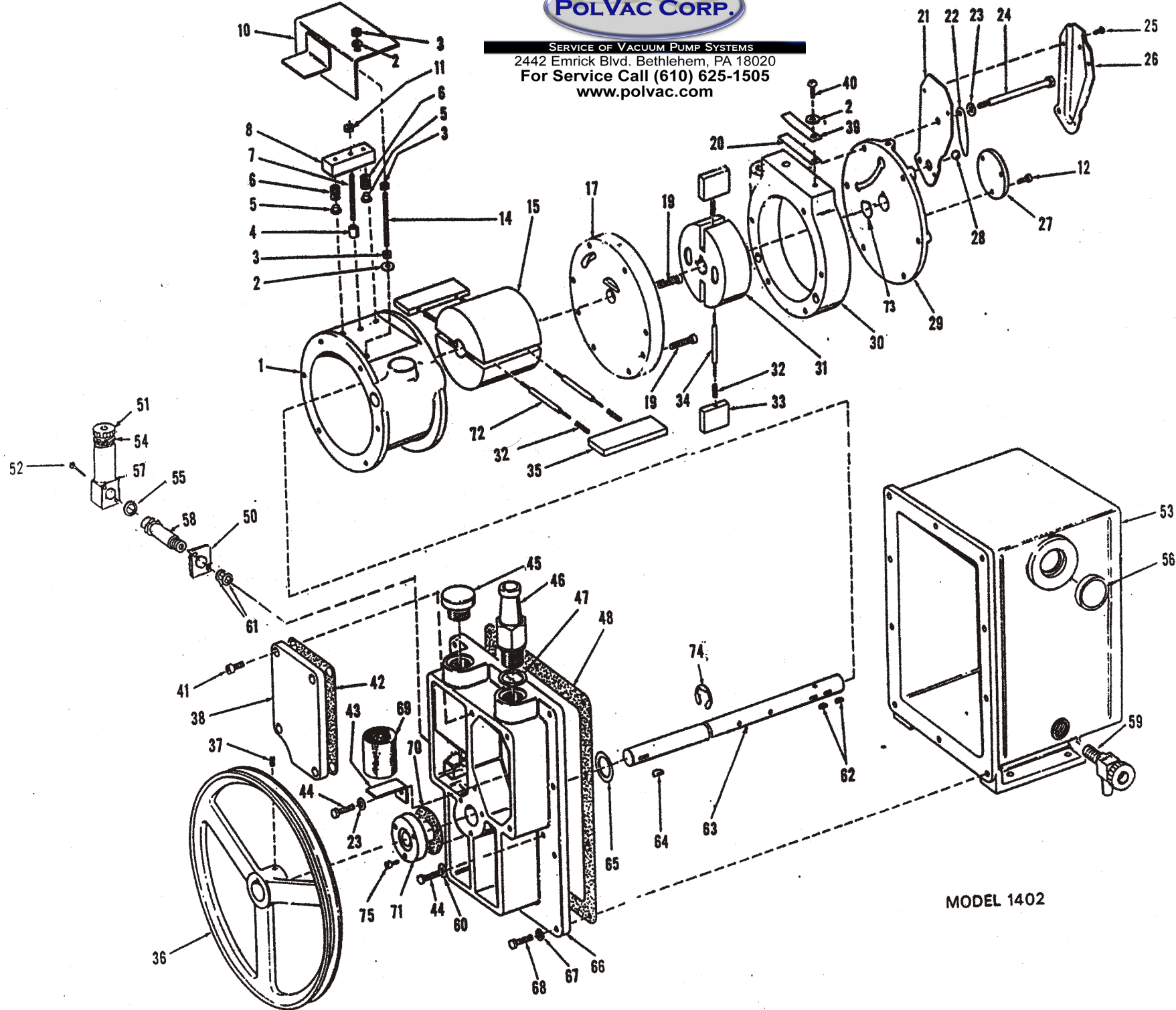




SERVICE OF VACUUM PUMP SYSTEMS  
2442 Emrick Blvd. Bethlehem, PA 18020  
For Service Call (610) 625-1505  
www.polvac.com

13



MODEL 1402

**PARTS LIST  
MODEL 1402 VACUUM PUMP**

<u>ITEM</u>	<u>QUAN</u>	<u>PC. NO.</u>	<u>A*</u>	<u>B*</u>	<u>DESCRIPTION</u>	<u>ITEM</u>	<u>QUAN</u>	<u>PC. NO.</u>	<u>A*</u>	<u>B*</u>	<u>DESCRIPTION</u>
1	1	61-8113C			Inake Ring	44	6	2-01-0316			Hex Head Cap Screw 5/16-18x1
2	3	2-61-0000			Steel Washer 3/16 size	45	1	41-0612			Dust Cap
3	3	2-31-0112			Hex. Steel Nut	46	1	61-8468A			Intake Nipple
4	1	41-2159	1	1	Valve Block Spacer	47	1	61-9284A			O-ring, #214
5	2	41-2157	2	2	Valve	48	1	41-0403	1	1	Oil Case Gasket
6	2	41-2158	2	2	Valve Spring	50	1	61-8102A			Flange For G.B. Valve
7	1	2-01-8128			Headless Steel Setscrew	51	1	41-1736			Gas Ballast Valve
8	1	41-2156			Valve Block	52	2	61-8362			Soc. Hd Screw 8-32x1
10	1	41-2160			Baffle Plate	53	1	61-8101			Oil Case Assy, incl. Items 56 & 59
11	1	2-36-9900			Nut, Lock 1/4-20	54	1	41-2757			Lock Nut
12	6	2-00-2706			Fil. Hd. Screw 10-32x3/8	55	1	61-8103			O-ring
14	1	41-2175			Headless Steel Setscrew	56	1	41-3753			Pop-In Window
15	1	41-2092			Intake Rotor	57	1	61-8100A			Gas Ballast Valve Adapter
17	1	61-8250C			Center Plate	58	1	61-8101A			Gas Ballast Valve Connector
18	4	2-09-1204			Socket Head Cap Screw	59	1	41-1734			Drain Valve
19	2	2-01-6320			Socket Hd. Screw 5/16-18x1-1/4	60	6	61-8456A			Washer Copper 5/16
20	1	41-2154	1	1	Lower Exhaust Valve	61	2	41-1056			Washer
21	1	41-1005			Pressure Release Tube, Part 2	62	2	41-0613	2	2	Woodruff Key
22	1	41-0992	1	1	Pressure Release Valve	63	1	41-2093			Shaft
23	6	41-2363			Washer	64	2	41-0624	1	1	Woodruff Key
24	6	2-01-0356			Hex. Hd Screw 5/16-18x3-1/2	65	1	41-0508			Thrust washer
25	3	2-03-3104			Binding Head Sheet Metal Screw	66	1	61-8111D			Large End Plate
26	1	41-0986			Pressure Release Tube Part 1	67	10	2-63-0193			Split Lock Washer
27	1	41-0672			End Cap	68	10	2-01-0114			Hex Head Cap Screw 1/4-20x3/4
28	1	4-40-1200	1	1	Steel Ball 3/8	69	1	41-0660	1	1	Air Filter
29	1	41-2045			Small End Plate	70	1	41-0643			Seal Gasket
30	1	61-8108D			Exhaust Ring	71	1	1401D	1	1	Shaft Seal Incl. Items 12 & 70 **
31	1	41-1518			Exhaust Rotor	72	2	41-1685	2	2	Spring Holder - Intake
32	6	41-1304	6	6	Vane Spring	73	3	41-1766	3	3	Thrust Disc
33	2	41-1487	2		Small Vane	74	1	4-06-0754	1	1	Truarc Ring
34	1	41-0696	1	1	Vane Spring Holder-Exhaust			1-99-5282	1	1	Sealant, 6 cc
35	2	41-0959	2		Large Vane						
36	1	41-2074			Pulley inc. setscrew, Item 37						
37	1	2-01-9306			Socket Head Set Screw						
38	1	41-0775			LargeEndPlate Cover						
39	1	41-2153	1	1	Upper Exhaust Valve						
40	1	2-01-5106			Rd. Hd. Steel Screw 1/4-20x 3/8						
41	4	2-01-6112			Socket Screw 1/4-20x3/4						
42	1	41-0234	1	1	Intake Chamber Cover Gasket						
43	1	41-0663			Air Filter Bracket						

A\*: MAJOR REPAIR KIT CAT # 1402K-06  
B\*: MINOR REPAIR KIT CAT # 1402K-05

\*\* 1401D is mechanical seal which fits all model 1402 serial numbers. There is a lipseal seal on S/N 133927 and above. It available as a kit, part no. 1401D-01.