



SERVICE OF VACUUM PUMP SYSTEMS

2442 Emrick Blvd. Bethlehem, PA 18020

For Service Call (610) 625-1505

www.polvac.com

Turbomolecular Drag Pumps With Electronic Drive Unit TC 600



TMH 521 P TMU 521 P

PM 0496 BE/K (0503)

	Page		Page
1. Safety Instructions	3	5. Monitoring Operations	19
1.1. For Your Orientation.....	3	5.1. Operations Display Via LED.....	19
1.2. Pictogram Definitions.....	3	5.2. Turbopump Temperature Management.....	19
2. Understanding The Pumps		6. What To Do In Case Of	
TMH 521 P/TMU 521 P	4	Breakdowns ?	20
2.1. Main Features.....	4	7. Maintenance/Replacement	21
Proper Use	4	7.1. Replacing The Lubricant Reservoir.....	21
Improper Use	5	7.2. Replacing The Electronic Drive Unit TC 600	22
2.2. Differences Between The Pump Types.....	5	8. Service	23
2.3. Scope of Delivery.....	5	9. Technical Data	24
3. Installation	6	9.1. Dimensions Diagram	25
3.1. Preparations For Installation.....	6	10. Spare Parts	28
3.2. Installing The Pump,		11. Accessories.....	29
Connecting The High Vacuum Side	6	Declaration of Contamination.....	30
3.3. Connecting The Fore-Vacuum Side	9	Manufacturer's Declaration	(last page)
3.4. Connecting The Cooling Unit.....	10		
3.5. Connecting The Venting Valve.....	10		
3.6. Connecting The Casing Heating Unit.....	10		
3.7. Connecting The Sealing Gas Valve.....	10		
3.8. Connecting The Electronic Drive Unit TC 600.....	11		
3.9. Installing The Power Supply	11		
3.10. Connecting The Remote Control Unit	12		
3.11. Connecting The Serial Interface RS 485	13		
Connection	13		
Connecting The RS 485	13		
3.12. Connections Diagram.....	14		
4. Operations	15		
4.1. Before Switching ON.....	15		
4.2. Switching ON.....	15		
4.3. Switching OFF And Venting.....	15		
4.4. Gas Type Dependent Operations	16		
4.5. Shutting Down For Longer Periods	16		
4.6. Operations With The DCU 001, DCU 300			
or HPU 001	17		
4.7. Operations With The Remote Control Unit.....	17		
Venting Release (Optional).....	17		
Motor, Turbopump	17		
Pumping Station	17		
Heating/Reset	17		
Standby.....	17		
Rotation Speed Setting Mode Via			
Input PWM	18		
Switching Outputs.....	18		

1. Safety Instructions

- ☞ Read and follow all instructions in this manual.
- ☞ Inform yourself regarding:
 - Hazards which can be caused by the pump;
 - Hazards which can be caused by your system.
 - Hazards which can be caused by the media being pumped.
- ☞ Avoid exposing any part of the body to vacuum.
- ☞ Observe the safety and accident prevention regulations.
- ☞ Regularly check that all accident prevention measures are being complied with.
- ☞ Do not operate the turbopump with open high vacuum flange.
- ☞ Do not carry out any unauthorised conversions or alterations to the turbopump with TC 600.
- ☞ When returning the turbopump observe the shipping instructions.
- ☞ The turbopump must be anchored in accordance with the installation instructions.
- ☞ Do not disconnect the plug between the TC 600 and accessory components during operations.
- ☞ Disconnect the voltage supply for the TC 600 before opening the turbopump.
- ☞ When working on the turbopump, the high vacuum flange should only be opened once the rotor is at rest.
- ☞ When using sealing gas, the pressure in the hose connection should be limited to 2 bar via the overpressure valve.
- ☞ If a heater is in use temperatures of up to 120 °C can be present in the area of the high vacuum flange. Take care to avoid burns !
- ☞ During operations, temperatures of up to 65 °C can arise in the lower part of the turbopump. Take care to avoid burns !
- ☞ Keep leads and cables well away from hot surfaces (> 70 °C).
- ☞ Operate the turbopump with TC 600 only in conjunction with the relevant power supply (accessory).
- ☞ Without the cover plate for the TC 600 the unit has been accredited protection class IP 30. When the unit is operated in environments which require other protection classes, the necessary measures must be taken. When the turbopump is water cooled a cover plate for the TC 600 must be installed by an electrical specialist, in order to attain protection class IP 54 (Sec. 11 Accessories).
- ☞ The mains connection must be subject to a safe connection to the PE (protection class 1).
- ☞ If the turbopump and the TC 600 are operated independently of each other (only permissible with the agreement of the manufacturer) the turbopump must be connected to the PE.
- ☞ The turbopump and the TC 600 must only be disconnected from each other when the turbopump is completely at rest and the TCP 600 has been disconnected from the power supply.
- ☞ The cause of any operating voltage leakage to earth (red LED flashes) must be eliminated to avoid the danger of an electric shock.
- ☞ The housing screws do not loosen, pull tight, remove or replace, since otherwise the guarantee for the security of the turbopump expires.

Modifications reserved.

1.1. For Your Orientation

Instruction in the text

➔ Working instruction: here, you have to do something.

Symbols used

The following symbols are used throughout in all illustrations.

- Ⓜ High vacuum flange
- Ⓥ Fore-vacuum flange
- ⓕ Venting connection
- Ⓢ Air cooling
- Ⓣ Electric connection
- ⓐ Sealing gas connection

Abbreviations used

DCU = Display and operating unit
HPU = Display and operating unit
TC = Electronic drive unit, turbopump
TPS = Power supply

Position numbers

The same pump and accessory parts have the same position numbers in all illustrations.

1.2. Pictogram Definitions



Warning, danger of burns from touching hot parts.



Warning, danger of personal injury.



Caution, danger of damage to the pump or to the system.



Warning, danger of injury from rotating parts.



Please note, attention to particularly important information on the product, handling the product or to a particular part of the documentation.

2. Understanding The Pumps TMH 521 P/TMU 521 P

2.1. Main Features

Turbopumps TMH 521 P/TMU 521 P with the TC 600 form an unit. Voltage is supplied by the power supply (see Section 11. Accessories).



On delivery, the pumps have been set up for operations in remote mode. Remote plug 8d should therefore be disconnected if operations with the DCU 001, DCU 300 or HPU 001 are required.

Turbomolecular Drag Pump TMH 521 P/TMU 521 P

- 1 High vacuum flange
- 2 Fore-vacuum flange
- 4 Venting screw
- 8 Electronic Drive Unit TC 600
- 8d Remote plug



Ambient conditions

The turbomolecular pump needs to be installed in compliance with the following ambient conditions:

Installation location:	protected against the weather (rooms within buildings)
Temperature:	+5 °C to +40 °C
Relative humidity of the air:	max. 80 % at T ≤ 31 °C up to max. 50% at T ≤ 40 °C
Air pressure:	77 kPa - 106 kPa
Installation altitude:	2000 m max.
Pollution degree:	2
Overvoltage category:	II
Connection voltage:	72 VDC ±5%

Proper Use

- The Turbomolecular Pumps TMH 521 P/TMU 521 P may only be used for the purpose of generating vacuum.
- The turbopumps may only be used to pump those media against which they are chemically resistant. For other media the operator is required to qualify the pumps for the processes involved.
- If the process produces dust, the maintenance intervals must be specified accordingly and sealing gas must be used.
If the pump is to be operated with more than 50% of the permissible gas load then sealing gas should be used to ensure rotor cooling.
- The turbopump must be connected to a backing pump in accordance with Section 3.3.
- Only Pfeiffer Vacuum power supplies may be used to operate the TC 600. The use of other power supplies requires the express agreement of the manufacturer and equalisation with the valid specification.
- Without the cover plate for the TC 600 the pumps may only be operated providing the ambient conditions in compliance with Protection Type IP 30 are observed.

Cooling

Water cooling or air cooling is required ("Accessories").
Integrated protective measures against excess temperatures:

The Electronic Drive Unit TC 600 reduces the rotor rotation speed.

Bearings

High vacuum side: wear free permanent magnetic bearing.
Fore-vacuum side: oil circulatory lubricated ball bearing with ceramic balls.

Improper Use

The following is regarded, inter alia, as improper:

- The pumping of explosive or corrosive gases.
- Operating the pumps in areas where there is a danger of explosion.
- Operating the pumps in areas where there is a danger of radioactivity.
- The pumping of gases and vapours which attack the materials of the pumps.
- The pumping of corrosive gases without sealing gas.
- The pumping of condensating vapours.
- Operations involving impermissibly high levels of gas loads.
- Operations with impermissibly high fore-vacuum pressure.
- Operations with improper gas modes.
- Operations involving too high levels of heat radiation power (see Section 9. Technical Data).
- Venting with rates higher than in Section 4.3. stated.
- Operating the pump without the cover plate for the TC 600 in environments which require a protection class superior to IP 30.
Installation of the pumps in systems where the turbomolecular pumps are subjected to impact-like stress and vibrations or the effect of periodically occurring forces.
- The use of other power units or accessories which are not named in this manual or which have not been agreed by the manufacturer.
- The connection to power units with earthing of a direct voltage pole.

The turbomolecular pumps and flange connections must not be used to tread on when climbing onto the system.

Improper use will cause all claims for liability and guarantees to be forfeited.

2.2. Differences Between The Pump Types

Feature	TMH 521 P	TMU 521 P
High vacuum flange	ISO-K	CF-F
High vacuum seal	Elastomer	Metal
Attainable final pressure	$< 1 \cdot 10^{-7}$ mbar (without baking-out)	$< 5 \cdot 10^{-10}$ mbar (with baking-out)

Abbreviations on the type plate of the pump

Suffix "P": Pumps with the designation TMH/TMU 521 P have been designed for the connection of purge gas (see Section 3.7.).

2.3. Scope Of Delivery

The turbopump scope of delivery includes:

- protective covering for the high vacuum flange and the fore-vacuum flange.



The 4 screws at the High vacuum flange are not sufficient for the attachment of the pump at a recipient (see Section 3.).

3. Installation

3.1. Preparations For Installation



Do not carry out any unauthorised conversions or alterations to the turbopump.



In case the rotor blocks suddenly, torque levels up to **6690 Nm** can occur which need to be absorbed by the system and the high vacuum flange.

- If the turbopump is to be operated with the DCU 001 or HPU 001, the remote plug 8d (please see Section 2.1.) on the TC 600 should be disconnected and then proceed in accordance with the corresponding operating instructions.
- The maximum permissible rotor temperature of the pump is 90 °C. If the vacuum chamber or parts in the vacuum chamber are heated, the values stated in the technical data relating to the level of heat which may be radiated into the pump must not be exceeded. If necessary, suitable shielding must be fitted in the vacuum chamber before the turbopump (constructional suggestions available on request).
- The temperature of the high vacuum flange must not exceed 120 °C.
- Only remove the blank flange from the high and fore-vacuum side immediately before connection.
- On Turbopumps TMH 521 P/TMU 521 P the lubricant reservoir is already fitted and filled.
- Where magnetic fields of > 5.0 mT are involved suitable shielding must be provided (available on request).
- If the pump is baked out, the heating sleeve and the body of the pump must be insulated to prevent burns from accidental contact.
- For operating the pump air or water cooling is necessary.



The person responsible for commissioning must ensure that the installation is carried out in accordance with the legal regulations and the pertinent industrial standards.

3.2. Installing The Pump, Connecting The High Vacuum Side



The utmost cleanliness must be observed when fitting all high vacuum parts. Unclean components prolong the pumping time. All installations units for the flange must be with installation grease-free, dust free and drying.

Use a Pfeiffer Vacuum splinter shield or protective mesh

The use of a Pfeiffer Vacuum splinter shield or protective mesh in the high vacuum flange protects the turbopump against foreign bodies coming from the vacuum chamber but does reduce the volume flow rate as followed:

		Reduced volume flow rate in %		
		H ₂	He	N ₂
Splinter shield	DN 100	9	13	22
	DN 160	5	7	16
Protective mesh	DN 100	2	3	6
	DN 160	1	2	4

Connecting via bellows or Pfeiffer Vacuum vibration compensator (Accessory)

The high vacuum side can be flanged onto the vacuum chamber either directly or via a bellows or a vibration compensator (please see Sec. 11. "Accessories").

When using a Pfeiffer Vacuum vibration compensator, suitable securing needs to be introduced capable of absorbing the energy of the rotor should it suddenly block, since the vibration compensator itself alone cannot absorb the occurring forces. Please consult the manufacturer.



The maximum permissible temperature at the vibration compensator is 100 °C.

Installing the high vacuum flange

- In case the rotor blocks suddenly, torque levels up to **6690 Nm** can occur which need to be absorbed by the system and the high vacuum flange.
- For installing the turbomolecular pumps to the high vacuum flange, the components listed in the following **must** be used exclusively. Otherwise the turbomolecular pump may twist or tear off. The components for installing the turbomolecular pumps are special designs from Pfeiffer Vacuum
- The minimum strength of 170 N/mm² of the flange material needs to be observed.

Installation is done as follows.



To reliably prevent the pump from twisting if the rotor suddenly blocks, it is absolutely prohibited to secure a pump with an ISO-K flange on a vacuum chamber with an ISO-F flange or vice versa. Both flanges **must be** of the same type. Installation with different flange types is carried out at the user's own risk. Pfeiffer Vacuum shall assume no liability whatsoever for any damage or injuries resulting from this kind of attachment.

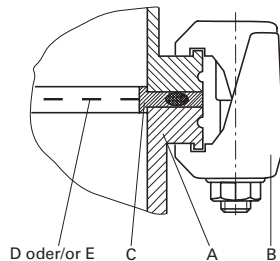
ISO-K to an ISO-K flange

For installation, the following components are available.

Connection nominal-diameter	Designation	Order-number
DN 100 ISO-K/ DN 100 ISO-K	Centering ring (coated)	PM 016 210 AU
	Centering ring (coated) with splinter shield	PM 016 211 AU
	Centering ring (coated) with protective mesher	PM 016 212 AU
	Bracket screws (16 pieces must be used)	PF 300 110 -T
DN 160 ISO-K/ DN 160 ISO-K	Centering ring (coated)	PM 016 216 AU
	Centering ring (coated) with splinter shield	PM 016 217 AU
	Centering ring (coated) with protective mesher	PM 016 218 AU
	Bracket screws (14 pieces must be used)	PF 300 110 -T

Bracket screw

- A ISO-K flange
- B Bracket screw
- C Centering ring, coated
- D Splinter shield
- E Protective mesh



- ➔ The clamps need to be tightened crosswise in three steps. Tightening torque: 5 Nm, 15 Nm, 25 ±2 Nm

ISO-F to an ISO-F flange

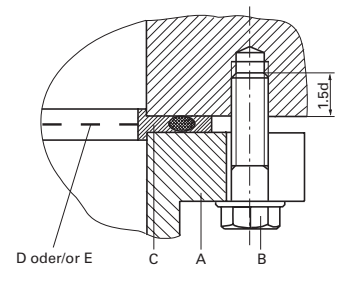
For installing there exist three variants.

Variant 1 - Hexagon screw with blind hole

Connection nominal-diameter	Designation	Order-number
DN 100 ISO-F	Centering ring (coated)	PM 016 210 AU
	Centering ring (coated) with splinter shield	PM 016 211 AU
	Centering ring (coated) with protective mesher	PM 016 212 AU
	Hexagon screws with washer (8 pieces each must be used)	N 3024 428 1C N 3502 422 4P
DN 160 ISO-K/ DN 160 ISO-K	Centering ring (coated)	PM 016 216 AU
	Centering ring (coated) mit Splitterschutz	PM 016 217 AU
	Centering ring (coated) mit Schutzgitter	PM 016 218 AU
	Hexagon screws (8 pieces must be used)	N 3024 479 1C

Hexagon screw with blind hole

- A ISO-F flange
- B Hexagon screw¹⁾
- C Centering ring, coated
- D Splinter shield
- E Protective mesh



1) DN 100 ISO-F with washer

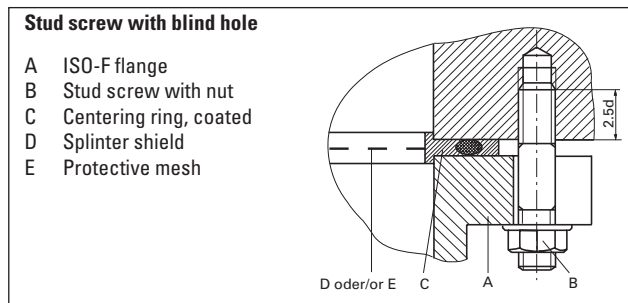
- ➔ For a flange material having a strength of > 270 N/mm² and with a blind hole the hexagon screw 1,5 d must be screwed in. The hexagon screws must be tightened crosswise in three steps.

Tightening torque:

DN 100 ISO-F: 5 Nm, 12 Nm, 22 ±2 Nm
DN 160 ISO-F: 10 Nm, 20 Nm, 38 ±3 Nm

Variant 2 - Stud screw with blind hole

Connection nominal-diameter	Designation	Order-number
DN 100 ISO-F	Centering ring (coated)	PM 016 210 AU
	Centering ring (coated) with splinter shield	PM 016 211 AU
	Centering ring (coated) with protective mesher	PM 016 212 AU
	Stud screws (8 pieces must be used)	N 3169 428 2C
	Nuts with washer (8 pieces each must be used)	N 3433 047 8P N 3502 422 4P
DN 160 ISO-F	Centering ring (coated)	PM 016 216 AU
	Centering ring (coated) with splinter shield	PM 016 217 AU
	Centering ring (coated) with protective mesher	PM 016 218 AU
	Stud screws (8 pieces must be used)	N 3169 485 2C
	Nuts (8 pieces must be used)	N 3433 051 8P



1) DN 100 ISO-F with washer

➔ For a flange material having a strength of 170-270 N/mm² and a screw-in flange, the stud screw 2,5 d must be screwed in. The nuts must be tightened crosswise in three steps.

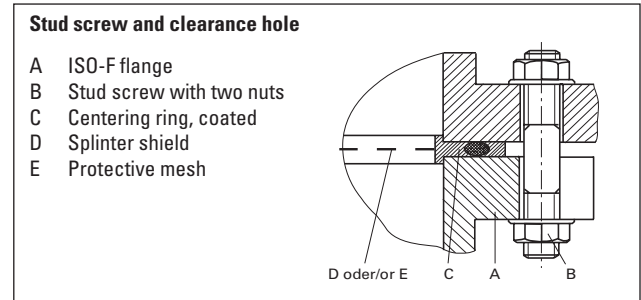
Tightening torque:

DN 100 ISO-F: 5 Nm, 12 Nm, 22 ±2 Nm

DN 160 ISO-F: 10 Nm, 20 Nm, 38 ±3 Nm

Variant 3 - Stud screw and clearance hole

(components as for variant 2; 16 pieces of nuts must be used)



➔ For a flange material having a strength of > 170 N/mm² and a stud screw with clearance hole, the nuts must be tightened crosswise in three steps.

Tightening torque:

DN 100 ISO-F: 5 Nm, 12 Nm, 22 ±2 Nm

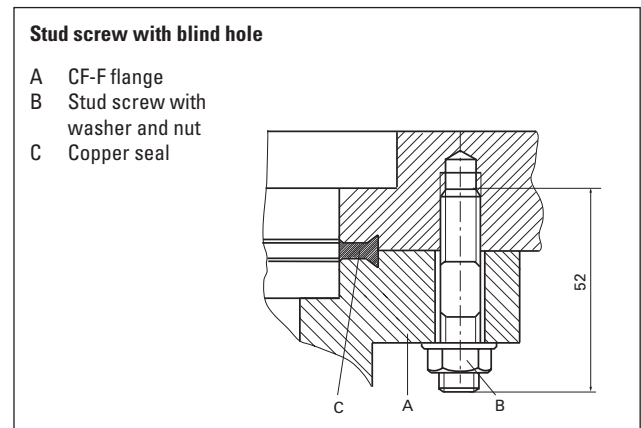
DN 160 ISO-F: 10 Nm, 20 Nm, 38 ±3 Nm

CF-F flange

Applications for installing an CF-F to an CF-F flange:

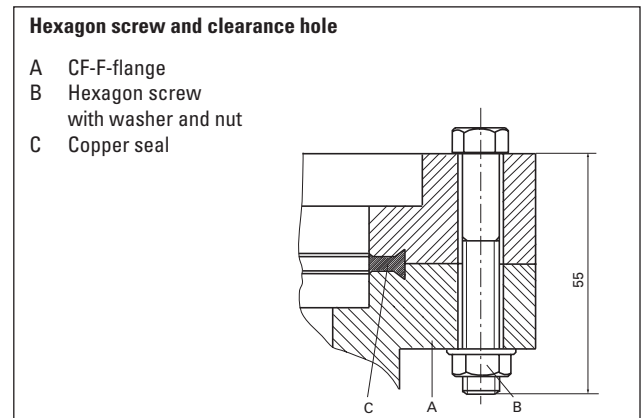
Stud screw with blind hole

16 (DN 100 CF-F) or 20 (DN 160 CF-F) pieces of stud screws (M8) with washers and nuts must be used. The stud screws need to be tightened revolving with a tightening torque of 22 ±2 Nm.



Hexagon screw and clearance hole

16 (DN 100 CF-F) or 20 (DN 160 CF-F) pieces of hexagon screws (M8) with washers and nuts must be used. The hexagon screws need to be tightened revolving with a tightening torque of 22 ±2 Nm.



The components for installing to an CF-F flange are to be ordered under the following numbers:

Connection nominal-diameter	Designation	Order-number
DN 100 CF-F DN 160 CF-F	Hexagon screw M8 with washer and nut (25 pieces) ¹⁾	PF 505 003 -T
	Stud screw M8 with washer and nut (22 pieces) ¹⁾	PF 507 003 -T
DN 100 CF-F	Copper seal (10 pieces) ¹⁾ or copper seal silvered (10 pieces) ¹⁾	PF 501 410 -T PF 501 510 -T
	Splinter shield ²⁾	PM 016 315
	Protective mesh ²⁾	PM 016 336
DN 160 CF-F	Copper seal (10 pieces) ¹⁾ oder copper seal silvered (10 pieces) ¹⁾	PF 501 416 -T PF 501 516 -T
	Splinter shield ²⁾	PM 016 318
	Protective mesh ²⁾	PM 016 339

1) supplied pieces

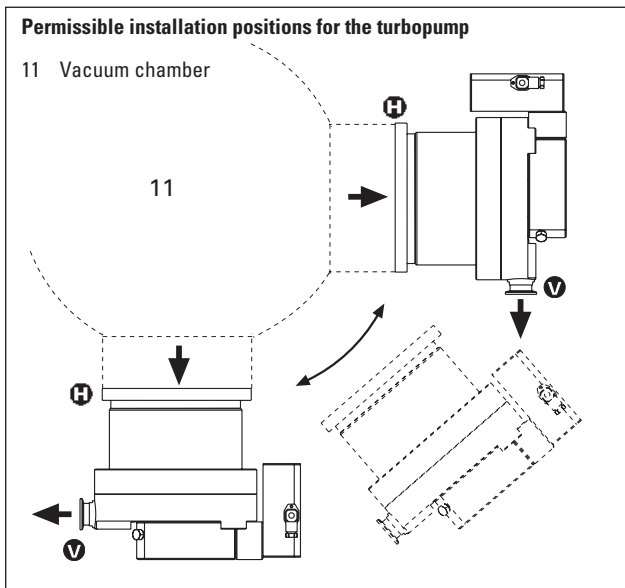
2) Insert the splinter shield and protective mesh in the high vacuum flange with the clamping lugs downward.

Directly flanging the pump

The turbopump can be flanged onto the vacuum chamber vertically (0°) up to an angle of 90° maximum.



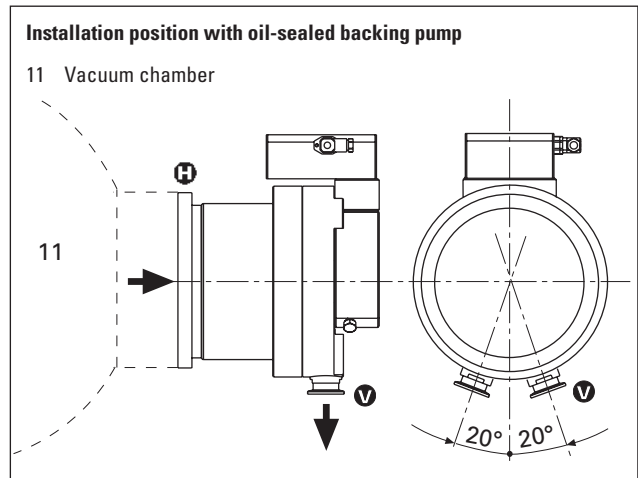
The fore-vacuum flange must always point downwards.



The maximum loading capacity of the high vacuum flange is 1000 N (equivalent to 100 kg). Assymmetric loading on the high vacuum flange must be avoided.

If the pump is being installed horizontally:

The fore-vacuum flange of the turbopump must be aligned vertically downwards (maximum deviation $\pm 20^\circ$), otherwise the turbopump could become dirty and the lubricating pump not properly function.



No forces from the piping system must be allowed to act on the pump where turbopumps are anchored. Suspend or support all pipes to the turbopump.

3.3. Connecting The Fore-Vacuum Side

Backing pump: Vacuum pressure ≤ 5 mbar
 Recommendation: Oil-Free Diaphragm Pump or Rotary Vane Vacuum Pumps from the Pfeiffer Vacuum range (note installation position, turbopump, see Section 3.2.).

Connecting the backing pump

All connections of the fore-vacuum line: with the usual small flange components or hose screw connections.



Be sure to conduct away the exhaust gases from the backing pump. Do not reduce the free cross section of the fore-vacuum flange with following components.



The exhausted process gases and vapours can represent a health hazard and can also be environmentally damaging. Comply with all gas manufacture's safety instructions.

- ➔ With rigid pipe connections: fit a bellows in the connecting line to reduce vibration.
- ➔ The electrical connection of the backing pump is made via a relay box whose control line is connected to "FV PUMP" on the TC 600.

Please refer to Operating Instructions PT 0030 BN for details on the relay box, backing pump and its installation.

3.4. Connecting The Cooling Unit

The Turbopumps TMH 521 P/TMU 521 P must be water or air cooled.
Air cooling may only be used where the ambient temperature is < 35 °C.

Use and installation:

- For water cooling please refer to Operating Instructions PM 0152 BN.
- For air cooling please refer to Operating Instructions PM 0543 BN.

3.5. Connecting The Venting Valve

The venting valve TVF 005 (see Section 11. Accessories) provides automatic venting in the event of a power failure and switching off.

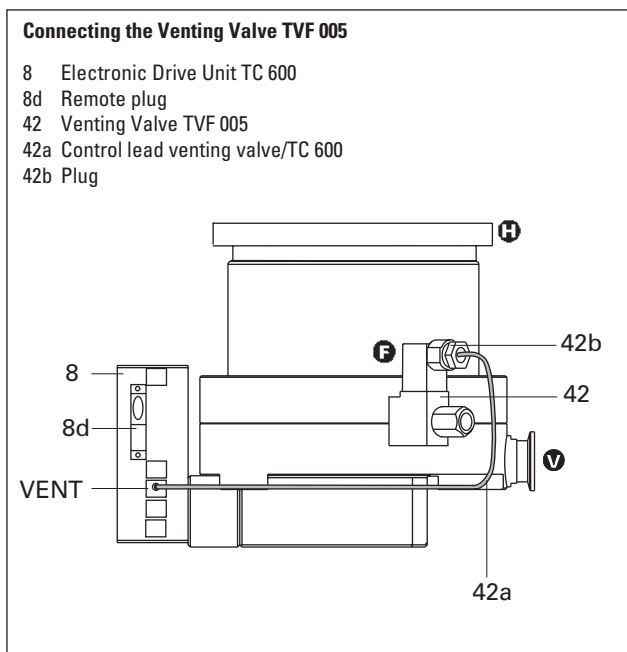
Fitting the venting valve

- ➔ Unscrew the venting screw from the venting connection 4 (please refer to Section 2.1.) of the turbopump.
- ➔ Screw in venting valve 42 with seal (USIT ring) on hexagonal SW 14.

Electrical connection

- ➔ Plug control lead 42a into the connection "VENT" of the TC 600 (8) on the turbopump.

The venting mode of the venting valve is selected via the DCU or Serial Interface RS 485.



The maximum pressure at the venting valve is 1.5 bar absolute.

Please refer to Operating Instructions PM 0507 BN for details on Venting Valve TVF 005.

3.6. Connecting The Casing Heating Unit

The attainment of final pressures is accelerated when turbopumps and vacuum chambers are baked out. The heating duration is dependent on the degree of dirt and on the required final pressure level. The heating duration should be at least 4 hours.



Where casing heating is involved the turbopump must be water cooled.



High temperatures are generated when turbopumps and vacuum chambers are baked out. There is a danger of burns resulting from touching hot parts, even after the casing heating has been switched off.

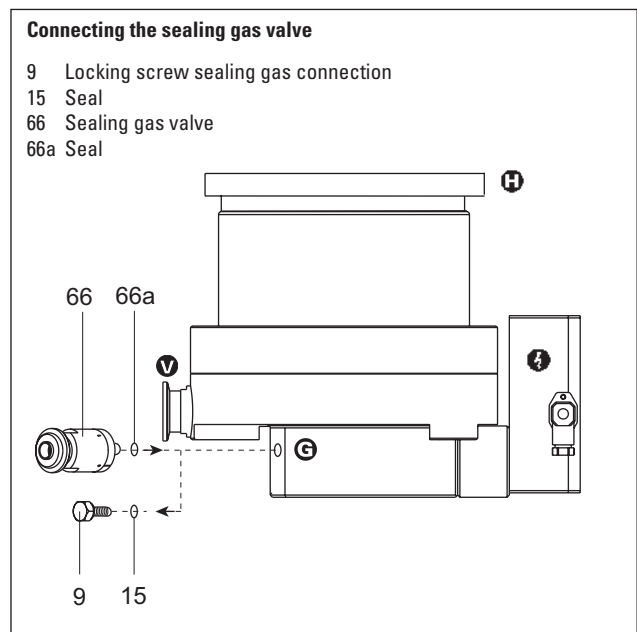
Ideally, the heating sleeve, pump casing and vacuum chamber should be insulated during installation. Do not touch the heating sleeve, pump casing and vacuum chamber during the baking out process.

Please refer to Operating Instructions PM 0542 BN for details on the casing heating unit and its installation.

3.7. Connecting The Sealing Gas Valve

To protect the pump, particularly where corrosive or dust producing processes are involved, it is necessary to use sealing gas.

Connection is made via the sealing gas valve (please see Section. 11. Accessories).



Please refer to Operating Instructions PM 0229 BN for details on installing the sealing gas valve and adjusting the sealing gas flow.

3.8. Connecting The Electronic Drive Unit TC 600



The turbopump and the Electronic Drive Unit TC 600 are connected and together form a single unit.
Connecting cable 8a has to be ordered in wanted length separately (see Section 11. Accessories).

- ➔ Unscrew screw with tooth lock 8c from the TC 600 (above the connection X4).¹⁾
- ➔ Plug the plug X4 on connecting cable 8a into the connection X4 on the TC 600 and screw in screw 8b.
- ➔ Secure plug X4 on the TC 600 with a screw and tooth lock 8c.¹⁾
- ➔ Connect plug X2 on connecting cable 8a with Power Supply TPS 300/DCU 300 (Accessories) on connection X2.
- ➔ Using screws and tooth lock 8c, included with the cable (consignment) secure plug X2 to power supply 105.¹⁾

1) Only with cable PM 051 843 -T



Once operations voltage has been supplied, the TC 600 performs a self test on the supply voltage. The supply voltage for Turbomolecular Pumps TMH 521 P/TMU 521 P is 72 V DC $\pm 5\%$ in accordance with EN 60 742.

If the turbopump is being operated with the Display And Operating Unit DCU 001, DCU 300 or HPU 001, remote plug 8d should be disconnected. Connection should be carried out in accordance with the respective operating instructions.

3.9. Installing The Power Supply



Voltage may only be supplied with the Pfeiffer Vacuum power supplies (Accessory). The use of other power supplies requires the express agreement of the manufacturer and equalization with the valid specification (power supply specifications available on request).

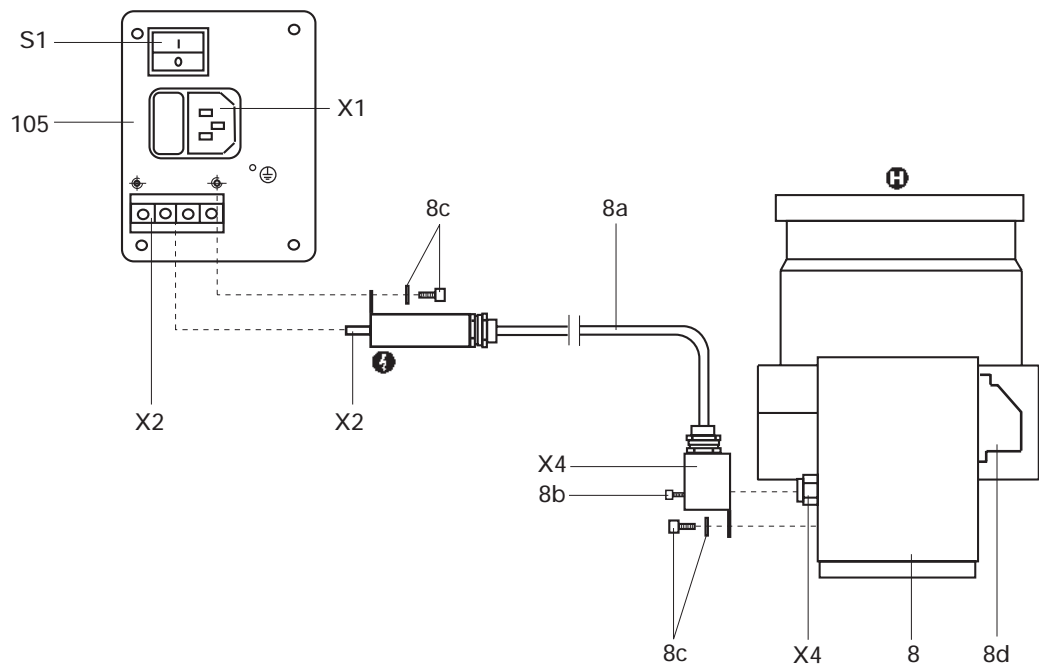
Please refer to Operating Instructions PM 0521 BN for details on Power Supply TPS 300.



The mains connection must be freely accessible at all times.

Connecting the TC 600 with Power Supply TPS 300/DCU 300

- X1 Mains connection
- X2 Connection, power supply
- X4 Connection TC 600
- S1 ON/OFF switch
- 8 Electronic Drive Unit TC 600
- 8a Connecting cable, TC 600 – TPS/DCU
- 8b Screw
- 8c Screw with tooth lock
- 8d Remote plug
- 105 Power supply

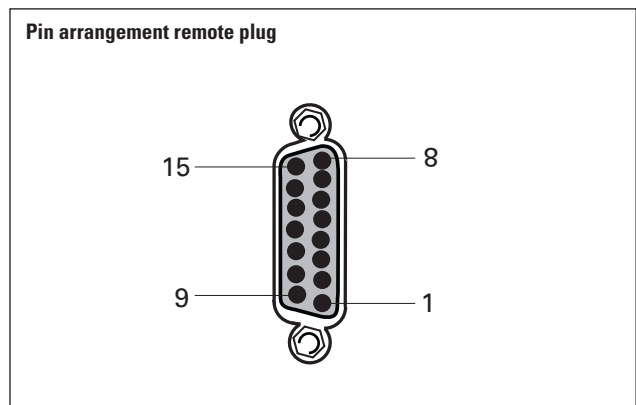


3.10. Connecting The Remote Control Unit

Remote control options for various functions are provided with the connection "REMOTE" on the TC 600 via the 15-pole D-Sub-Connector. Shielded cable must be used. Shielding is on the plug side of the TC 600 connected to the TC casing.

The inputs 2-6 are activated by connecting them to the + 24 V on pin 1 (active high) (please see Section 3.12. Connections Diagram).

Pin occupancy and remote plug functions
(please see following table).



When connecting supply voltage, the turbopump is started.

On delivery:
Pin 1, Pin 2, Pin 3 and Pin 4 are bridged in the mating plug.

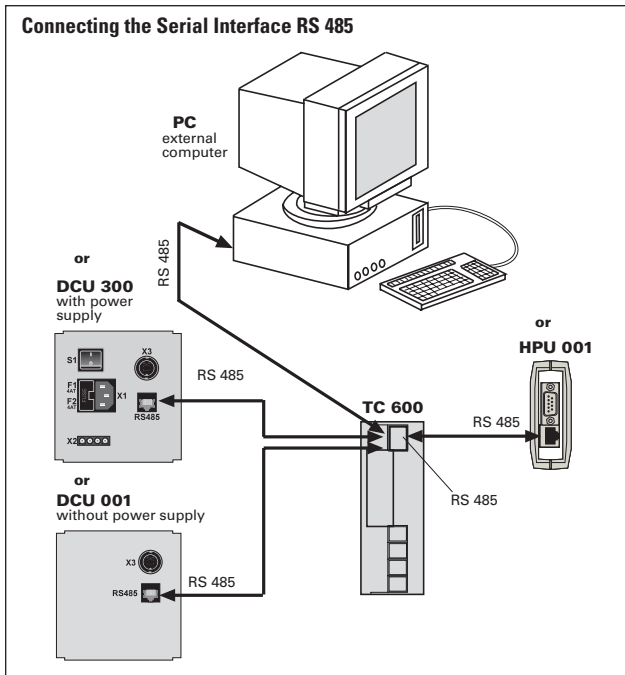
Pin occupancy and remote plug functions		
Pin nr.	Input open (low)	Input closed (high) on + 24V (pin 1)
1	+24 V	
2	venting blocked (see Section 3.5.)	venting released (see Section 3.5.)
3	motor, turbopump off	motor, turbopump on: the turbopump is driven, current flows through the motor coils
4	pumping station off	pumping station on: the turbopump is driven, backing pump is started via the relay box
5	heating off optional: sealing gas valve off ¹⁾	heating on: the heating is switched on once the rotation speed switchpoint is attained and off when the rotation speed switchpoint is unattained optional: sealing gas valve on ¹⁾
5		reset: by supplying a pulse (T < 2s) with an amplitude of 24V a malfunction acknowledgement can be processed
6	standby off	standby on: pump is accelerated to 66% of its nominal rotation speed
7	rotation speed setting mode off	the rotation speed can be changed by feeding a PWM signal to this pin or via Serial Interface RS 485 (see Section 4.7. Rotation Speed Setting Mode)
8	Output (low) rotation speed switchpoint not attained	Output (high) rotation speed switchpoint attained; output can be loaded with 24 V/50 mA
9	Output (low) Collective malfunction message	Output (high) malfunction-free operations; output can be loaded with 24 V/50 mA
10	Mass (ground)	_____
11	Contact Output 1: Switchpoint attained	contact ²⁾ between pin 11 and pin 12 closed if the turbopump is above the switchpoint
12	Contact Output 1: Switchpoint attained	
13	Contact Output 2: Collective malfunction message	contact ²⁾ between pin 13 and pin 14 open in the event of a collective malfunction
14	Contact Output 2: Collective malfunction message	
15	Analog output	rotation speed proportional output voltage 0 - 10 VDC = 0 - 100 % * fend/load R ≥ 10 kΩ

1) The option must be set via the Serial Interface RS 485
(see Operating Instructions PM 0547 BN, Pumping Operating with DCU)

2) The following technical data is applicable for the contacts: $U_{max} = 50 \text{ VDC}$
 $I_{max} = 1 \text{ A}$

3.11. Connecting The Serial Interface RS 485

An external operating component (DCU 001, DCU 300 or HPU 001) or an external computer can be connected via the connection "RS 485" on the TC 600 with the use of a shielded 8 pole modular connecting cable contained with the delivery.



The serial interface is galvanically and safely separated from the maximum supply voltage from the TC 600.

Connection

Designation	Value
Serial interface type:	RS 485
Baud rate:	9600 Baud
Data file word length:	8 bit
Parity:	no parity
Start bits:	1
Stop bits:	1..2

The electrical connections in the TC 600 are optically decoupled.

Pin	Occupancy
1	not connected
2	+ 24 V output (loadable with ≤ 210 mA)
3	not connected
4	not connected
5	RS 485: D+ (DO / RI)
6	Gnd
7	RS 485: D- (DO / RI)
8	not connected

RS 485



1 ... 8

(View from the plug side of the TC 600)



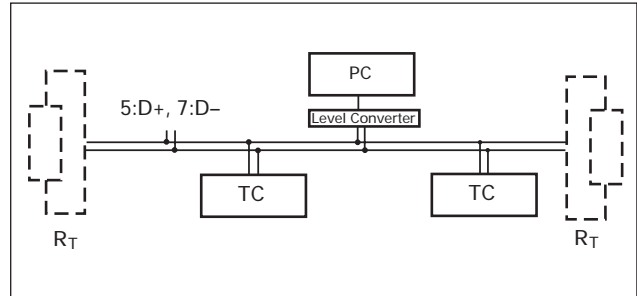
It is possible to connect an RS 232 (e.g. PC) via a level converter (please see Section 11. Accessories).

Connecting The RS 485

Connection to a fixed bus system

- ➔ Connect all units with D+ (pin 5 / RS 485) and D- (pin 7 / RS 485) to the bus.
- ➔ The bus must be closed at both ends.

The connections should be made in accordance with the specification of the Serial Interface RS 485.



All units connected to the bus must have differing serial interface addresses (parameter 797).

The group address of the TC 600 is 960.



Only SELV may be connected to the Serial Interface RS 485.

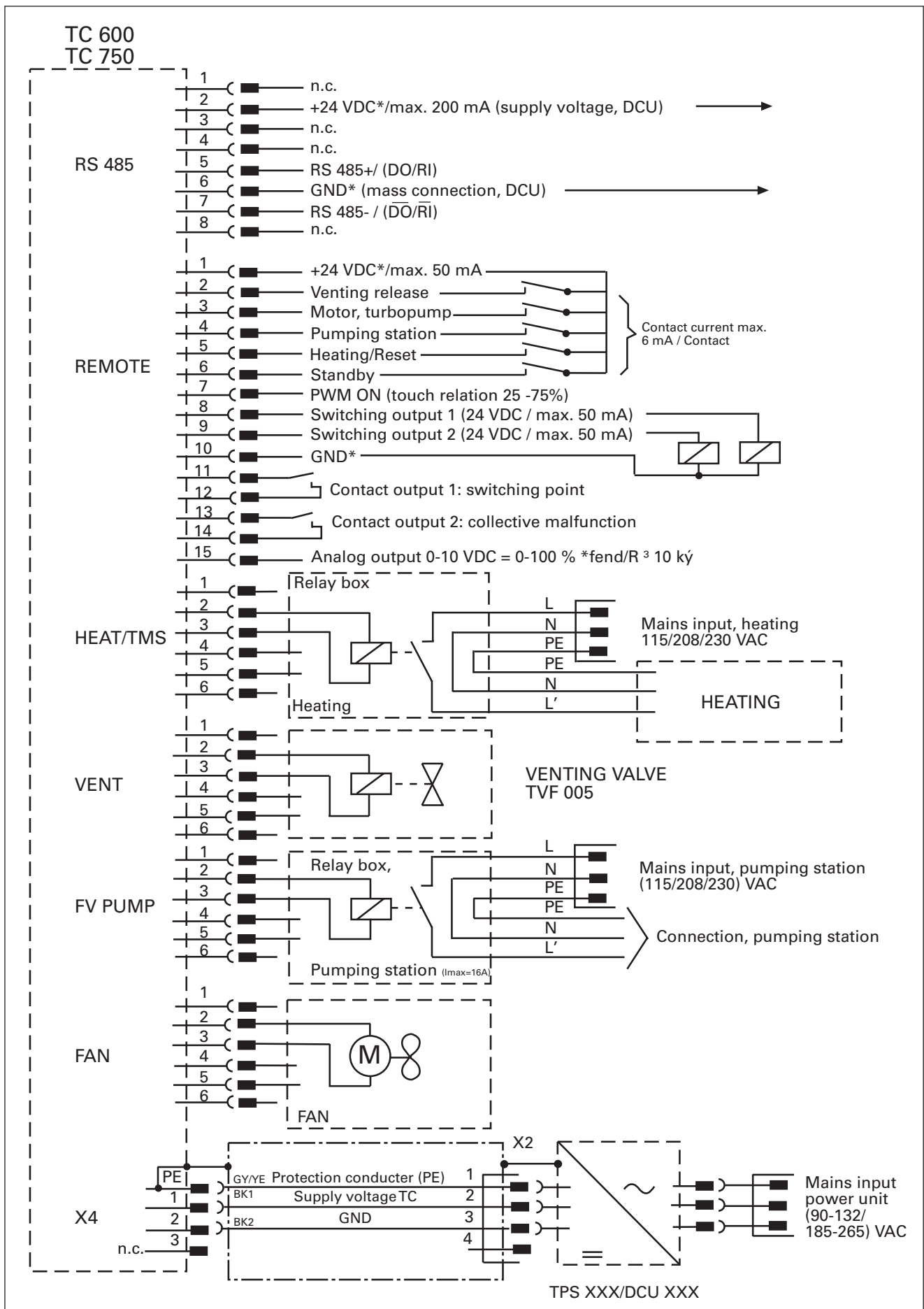
All switched on remote functions have priority over the serial interface functions.



Please refer to Operating Instructions PM 0488 BN for detailed operating procedures and electrical data in respect of the Serial Interface RS 485.

Profibus DP Gateway TIC 250 is available (accessory) for connecting an Electronic Drive Unit TC 600 to a Profibus DP. Please refer to the respective Operating Instructions PM 0599 BN for detailed information on the operation of the TIC 250.

3.12. Connections Diagram



4. Operations

4.1. Before Switching ON

Sections 4.1. to 4.3. refer only to operating the pump in its condition on delivery, without the DCU operating unit. The bridges "venting release", "motor, TMP ON" and "pumping station ON" are fitted in the remote control plug.



Turbopump rotors rotate at high speed. When the high vacuum flange is open there is a danger of injury and of damage to the pump caused by objects falling into the pump. Therefore never operate the pump with open high vacuum flange.



Take care when pumping hazardous gases and observe the safety precautions of the gas manufacturer.

- ➔ With sealing gas: Open the sealing gas supply.
- ➔ With water cooling: Open cooling water supply and check flow.
- ➔ With connecting cable 8a (see Section 11. Accessories) connect the TC 600 and Power Supply TPS 300 on X2 (please see Section 3.8.).

Please note:

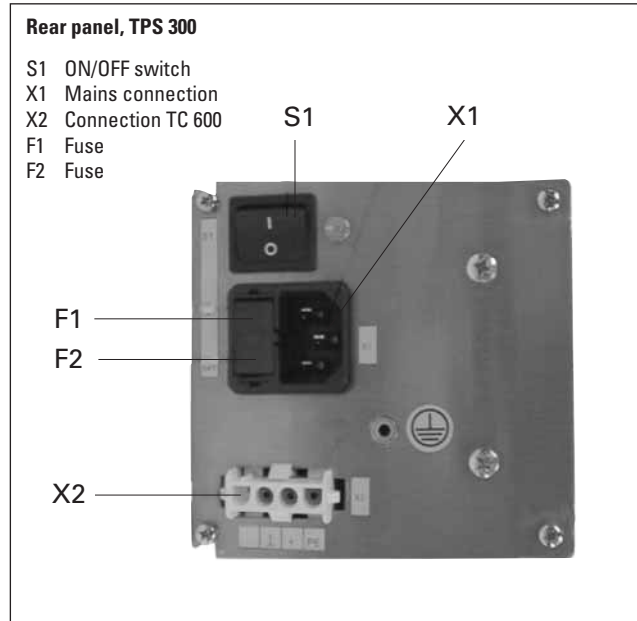
The following pre-settings have been programmed:

- | | |
|------------------------------|-------|
| – Running up time | 8 min |
| – Rotation speed switchpoint | 80% |
| – Automatic venting | 50% |

These settings can only be altered via Serial Interface RS 485 (DCU, HPU or PC); please refer to the respective operating instructions.

4.2. Switching ON

- ➔ Switch on the turbopump with switch S1 on the power supply.
- With air cooling the cooling fan is also switched on via Electronic Drive Unit TC 600.
- Once the self test has been successfully completed on the TC 600 (duration approximately 15 seconds), both the turbopump and the backing pump (if connected) begin operating.



4.3. Switching OFF And Venting

Before coming to rest after switching off, the turbopump must be vented in order to prevent contamination.

- ➔ Close the fore-vacuum.
 - ➔ Switch off both turbopump and backing pump with switch S1 on the power supply.
 - ➔ Venting
 - There are three possibilities to vent turbopump:
 - **Manual venting** with the use of the venting screw (status on delivery).
 - **Venting with the venting valve** which is selectable via the remote control (please see Section 4.7.), or via the DCU or HPU (see respective operating instructions).
 - **Venting in two stages** when the vacuum chamber should be vented as quickly as possible. First stage: venting with a pressure increase rate of 15 mbar/s for 20 seconds.
Second stage: venting with an optionally large venting valve.
- The valve cross-section for a venting rate of 15 mbar/s must be compatible with the size of the vacuum chamber. Where small vacuum chambers are involved, the Pfeiffer Vacuum Venting Valve TVF 005 can be used for first stage venting.
- ➔ Shut off water supply.

4.4. Gas Type Dependent Operations



Water cooling is required if the pumps are to be operated with gas load.

Where high level gas loads and rotation speeds are involved, the resulting friction subjects the rotor to the effect of great heat. To avoid over-heating, a power rotation speed characteristic line is implemented in the TC 600; this ensures that where maximum gas loads are involved, the pump will operate at any rotation speed without the danger of damage arising.

The maximum power is dependent on the type of gas. Two characteristic lines are available for any type of gas in order to fully exploit the power potential of the pump:

- "Gas-Mode 0" for gases with molecular mass ≥ 40 as, for example, Argon;
- "Gas-Mode 1" for all lighter gases.

Works setting: "Gas mode 0"

- ➔ Set the applicable gas mode on the TC 600 via the DCU/HPU (please refer to the respective operating instructions).



Pumping gases with molecular mass ≥ 40 with the incorrect gas mode can cause damage to the pump. When pumping noble gases heavier than Argon it can come to the destruction of the pump. Please contact the manufacturer before using such gases.

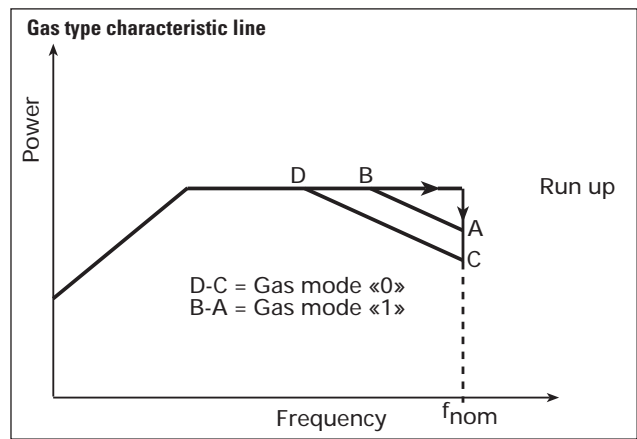
For the vertex of the power characteristic line please refer to Section 9. Technical Data.

Maximum power is applied when the pump starts in order to limit the time required. Once the set rotation speed is attained, switching to the selected power characteristic line is automatic. If the gas dependent maximum power is exceeded, the rotation speed is reduced until equilibrium between the permissible power and gas friction is attained.

The power limitation serves to protect the pump against thermal over-loading. In order to avoid rotation speed fluctuations it is recommended to set, in rotation speed setting mode, the equilibrium frequency or a somewhat lower frequency.



There can be types of pump whereby there is no differentiation between the two "gas modes" settings.



4.5. Shutting Down For Longer Periods



If aggressive or hazardous gases are pumped there is a danger of personal injury resulting from coming into contact with process gases. Before removing a turbopump from the system, first:

- Vent the turbopump with a neutral gas or dry air.
- Ensure that there is no residual process gas in the system nor in the feeder lines.

If the turbopump is to be shut down for more than a year:

- ➔ Remove turbopump from the system.
- ➔ Change the lubricant reservoir (see Section 7.1.).



Lubricant TL 011 should not be used when there have been no operations for **3 years**.

- ➔ Close the high vacuum flange and evacuate the turbopump via the fore-vacuum flange.
- ➔ Vent turbopump via the venting connection with nitrogen or dry air.
- ➔ Close fore-vacuum and venting connection by blank flanging.
- ➔ Place the pump vertically on its rubber feet.
- ➔ The pump must be stored in buildings within a temperature range of -25 °C to +55 °C.
- ➔ In rooms with moist or aggressive atmospheres, the turbopump must be air-sealed in a plastic bag together with a bag of desiccant, e.g. silicagel.



If the pump has been shut down for **3 years**, the bearing must be changed (please contact Pfeiffer Vacuum Service).

4.6. Operations With The DCU 001, DCU 300 or HPU 001

Operations with the DCU 001, DCU 300 or HPU 001 should be carried out in accordance with the relevant Operating Instructions:

- PM 0477 BN (DCU description)
- PM 0547 BN (Operating the pump with the DCU)
- PT 0101 BN (Display and Operating Unit HPU 001)



Where operations with the DCU or HPU are involved, the remote plug 8d on the TC 600 (please refer to Section 2.1.) should be disconnected.

4.7. Operations With The Remote Control Unit

Remote control operations can be performed via the connection with the designation "REMOTE" on the TC 600 via the 15-pole D-Sub-Connector.

Pin occupancy and remote plug functions see Section 3.10. Connecting The Remote Control Unit.

Inputs 2 - 6 are activated if they are connected with the +24 V on pin 1 (active high; please see Section 3.12. Connections Diagram).



On delivery there is a bridge between Pin 1, Pin 2, Pin 3 and Pin 4 on the TC 600 mating plug. Once operating voltage has been supplied and on successful completion of the self-test on the TC 600, the turbopump and any possible connected backing pump is started.

Venting Release (Optional)

Automatic venting:

Venting frequency	Switch off the pumping station	Mains power failure ¹⁾
< 415 Hz (correspond to 50% of the final rotation speed)	venting valve opens for 3600 s (1 h, (works setting))	venting valve opens and closes on attainment of approximately 15 % of the final rotation speed

1) When mains power is restored the venting procedure is interrupted.

Venting blocked:

Venting does not take place.

Other venting modes:

Other venting modes can be selected via the DCU or HPU.

Motor, Turbopump

When the pumping station is switched on and once the self test has been successfully completed (duration approximately 15 seconds), the turbopump is set in operation. During operations, the turbopump can be switched on and off while the pumping station is switched on. Thereby the turbopump will not be vented.

Pumping Station

Any connected pumping station components are started up (e.g. backing pump, venting valve, air cooling) and with simultaneous activation of the input "motor, turbopump" the turbopump is set in operation once the self test has been successfully completed (duration approximately 15 seconds).

Heating/Reset

Heating (optional)

Once the rotation speed switchpoint is attained the heating unit is switched on; when the rotation speed switchpoint is fallen below the heating unit is switched off.

Reset

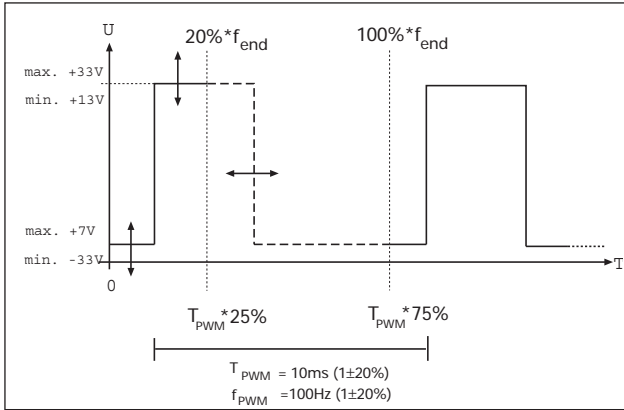
The heating input has two functions (please see Section 3.10., point 5 "Reset").

Standby

The pump can be operated optionally at 66% of its nominal rotation speed (standby ON) or at its nominal rotation speed (standby OFF).

Rotation Speed Setting Mode Via Input PWM

The supply of pulse width modulated signals (PWM) with a ground frequency of 100 Hz $\pm 20\%$ with an amplitude of maximum 24 V and a key ratio of 25-75% enables the rotation speed to be set in the range 20-100% of the nominal rotation speed.



If no signal is present the pump accelerates up to its final rotation speed. A PWM adapter box for rotation speed setting operations for the turbopump is available as an option (please see Section 11. Accessories).

Switching Outputs

Switching outputs 1 and 2 can be loaded with a maximum 24 V / 50 mA per output. The following functions are assigned to the switching outputs:

Switching output 1: Active high when the rotation speed switchpoint is attained. The switchpoint for the turbopump is set at 80% of the nominal rotation speed. It can be used, for example, for a message "pump ready to operate".

Switching output 2: Active low with a malfunction - collective malfunction message



The connection of a relay is made between pin 10 (mass) and the respective switching output pin 8 or pin 9 (see Section 3.12. Connections Diagram).

5. Monitoring Operations

5.1. Operations Display Via LED

Certain operations modes of the turbopump and the TC 600 can be ascertained via the two integrated LEDs located on the front panel of the TC 600.

The following operations modes are displayed:

LED		Cause
 green	 red	
Glows		– power supply OK – Function "pumping station ON" carried out
Flashes short (1/12s active)		– power supply OK – Pumping station OFF
Blinks (1/2s active)		– Mains power supply failure
	Glows	– Collective malfunction (for example, run-up time error, over-temperature, turbopump or TC 600) – Switching output 2 active (low)
	Blinks (1/2s active)	– Warning (e.g. supply voltage short circuit to earth, mains power supply failure)



Differentiated malfunction and warning signals are only possible with the use of the DCU or HPU.

5.2. Turbopump Temperature Management

Where impermissible motor temperatures are involved or the temperature of the TC 600 casing is too high, the motor current is reduced. This can lead to dipping below the set rotation speed switchpoint and results in the turbomolecular pump being switched off.

LED on the TC 600 glows red: Collective malfunction.

6. What To Do In Case Of Breakdowns?

Problem	Possible Causes	Remedy
Pump doesn't start; None of the integrated LEDs glow on the TC 600	<ul style="list-style-type: none"> • Power supply interrupted • Incorrect operations voltage supplied • Pins 1-3 and 1-4 on the remote plug not connected • No supply of operations voltage • Defect TC 600 • Reduction in the voltage in the cable 	<ul style="list-style-type: none"> • Check fuse in the power supply • Check plug contacts on the power supply • Check power supply feeder line • Check voltage on the power supply (72 V DC) at connection X2 • Supply correct operations voltage • Connect pins 1-3 and 1-4 on the remote plug • Check plug contacts on the power pack unit • Replace TC 600 (please see Sec. 7.2.) • Use suitable cable
Pump doesn't attain nominal rotation speed within the set run-up time Pump cuts out during operations	<ul style="list-style-type: none"> • Fore-vacuum pressure too high • Leak or too much gas • Rotor sluggish caused by defective bearing • TC run-up time too short • Thermal overloading caused by <ul style="list-style-type: none"> – Water flow insufficient – Insufficient air supply – Fore-vacuum pressure too high – Ambient temperature too high 	<ul style="list-style-type: none"> • Check backing pump function • Check seals • Seek leak and repair • Reduce supply of process gas • Check bearing (noises?): Inform Pfeiffer Vacuum Service • Set longer start-up time with the DCU or PC • Ensure free flow • Ensure adequate air supply • Reduce fore-vacuum pressure • Reduce ambient temperature
Pump doesn't attain final pressure	<ul style="list-style-type: none"> • Pump dirty • Leak in vacuum chamber, lines or pump 	<ul style="list-style-type: none"> • Bake out pump • If seriously contaminated: Request Pfeiffer Vacuum Service to clean • Seek leak starting with vacuum chamber • Repair leak
Unusual operating noises	<ul style="list-style-type: none"> • Bearing damaged • Rotor damaged • Splinter shield (if fitted) not seated firmly 	<ul style="list-style-type: none"> • Inform Pfeiffer Vacuum Service of need for repair • Inform Pfeiffer Vacuum Service of need for repair • Check seat of splinter shield
Red LED on the TC 600 glows	<ul style="list-style-type: none"> • Collective malfunction 	<ul style="list-style-type: none"> • Reset via mains OFF/ON or remote pin 5 • Different malfunction display with the DCU or HPU possible¹⁾
Red LED on the TC 600 flashes	<ul style="list-style-type: none"> • Warning through: <ul style="list-style-type: none"> – Mains power failure – Supply voltage short circuit to earth • Wrong setting for nominal rotation speed (Parameter 777) 	<ul style="list-style-type: none"> • Different warning message with the DCU or HPU possible¹⁾ • Check power supply voltage • Check power supply mains connection • Check power supply voltage for short circuit to earth • Enter 833 Hz for parameter 777 (see operating instruction PM 0547 BN "Pumping Operations With DCU"). If there is no DCU/HPU available contact Pfeiffer Vacuum Service .

1) Without a DCU or HPU inform Pfeiffer Vacuum Service to check the cause of trouble.

7. Maintenance/Replacement

PLEASE NOTE



No liability for personal injury nor material damage will be accepted for damages and operational interruptions which have been caused by improper maintenance; in addition, all guarantees become invalid.

The bearing should be changed every three years (request Pfeiffer Vacuum Service to change). Where extreme operating conditions or unclean processes are involved, the replacement interval should be checked with your Pfeiffer Vacuum Service Center.

You can replace the lubricant reservoir and the Electronic Drive Unit TC 600 yourself. Please contact your local Pfeiffer Vacuum Service for all other maintenance and service work.

CAUTION



Ensure no mechanical forces act on the Electronic Drive Unit TC 600.

7.1. Replacing The Lubricant Reservoir

Replace the lubricant reservoir at least every three years. For extreme load conditions or impure processes: discuss the replacement interval with Pfeiffer Vacuum Service.

- ➔ Turn off turbopump, vent to atmospheric pressure and allow to cool, if necessary.
- ➔ If necessary, remove the turbopump from the system.
- ➔ Use the installation tool E (Bestell-Nr. PV M40 569) to unscrew the screw cap 90 on the base of the turbopump; pay attention to the O-ring 91.



- ➔ Use two screwdrivers to lift the lubricant reservoir 92.



WARNING



The lubricant reservoir can contain poisonous substances from the pumped media. Dispose of the lubricant reservoir in accordance with regulations! A safety data sheet is available upon request.

- ➔ Remove impurities from the turbopump and screw cap with a clean, lint-free cloth.
- ➔ Slide new lubricant reservoir 92 up to the O-ring 93 in the turbopump.

CAUTION



The lubricant reservoir comes pre-filled with lubricant TL 011; do not add additional lubricant.

- ➔ Screw on screw cap 90 with O-ring 91. The screw cap places the lubricant reservoir in the correct axial position

7.2. Replacing The Electronic Drive Unit TC 600

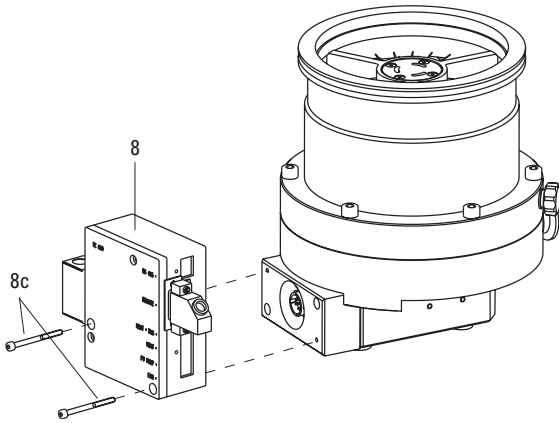


The turbopump and the TC 600 must only be disconnected from each other when the turbopump is completely at rest and the TC 600 has been disconnected from the power supply.

- ➔ Switch off the turbopump, vent to atmospheric pressure (see Section 4.3.) and allow to cool as necessary.
- ➔ If necessary, remove the turbopump from the system.
Unscrew screws 8c (2 pieces) from the Electronic Drive Unit TC 600 and remove the TC 600 from the turbopump.

Replacing the Electronic Drive Unit TC 600

- 8 Electronic Drive Unit TC 600
- 8c Screw (2 Stück)



- ➔ Install the new Electronic Drive Unit TC 600 back onto the turbopump and connect again.



Please take into account that after replacement the standard operating parameters are always pre-set.

If your application requires different parameters, please modify accordingly.

8. Service

Do Make Use Of Our Service Facilities

In the event that repairs are necessary a number of options are available to you to ensure any system down time is kept to a minimum:

- Have the pump repaired on the spot by our Pfeiffer Vacuum Service Engineers;
- Return the pump to the manufacturer for repairs;
- Replace the pump.

Local Pfeiffer Vacuum representatives can provide full details.



Please take into account that where Pfeiffer Vacuum Service replacement service is involved the standard operating parameters are always present.

If your application requires different parameters, please modify accordingly.



The turbopump and the Electronic Drive Unit TC 600 form a single unit and must therefore be returned complete for repair purposes. Before returning the unit it should be ensured that the power supply is not the cause of the malfunction (checking the power supply).

Before Returning:

- ➔ Dismantle all accessories.
- ➔ If the unit is free of harmful substances please attach a clearly visible notice "Free of harmful substances" (both on the unit and also on the delivery note and any accompanying letters).

"Harmful substances" are substances and preparations as defined in the current, local, dangerous substances regulations; in the U.S.A. as

"materials in accordance with the Code of Federal Regulations (CFR) 49 Part 173.240 Definition and Preparation".

We will carry out the decontamination and invoice this work to you if you have not attached this note. This also applies where the operator does not have the facilities to carry out the decontamination work. Units which are contaminated microbiologically, explosively or radioactively cannot be accepted as a matter of principle.

Fill Out The Declaration Of Contamination

- ➔ In every case the "Declaration of Contamination" must be completed diligently and truthfully.
- ➔ A copy of the completed declaration must accompany the unit; any additional copies must be sent to your local Pfeiffer Vacuum Service Center.

Please get in touch with your local Pfeiffer Vacuum representatives if there are any questions regarding contamination.



Decontaminate units before returning or possible disposal. Do not return any units which are microbiologically, explosively or radioactively contaminated.

Returning Contaminated Units

If contaminated have to be returned for maintenance/repair, the following instructions concerning shipping must be followed:

- ➔ Neutralise the pump by flushing with nitrogen or dry air.
- ➔ Seal all openings to the air.
- ➔ Seal pump or unit in suitable protective foil.
- ➔ Return equipment only in suitable, rugged shipping containers and by complying with the currently valid shipping regulations.



Repair orders are carried out according to our general conditions of sale and supply.

If repairs are necessary, please send the pump together with a short damage description to your nearest Pfeiffer Vacuum Service Center.

9. Technical Data

Feature	Unit	TMH 521 P		TMU 521 P	
Connection nominal diameter Inlet		DN 100 ISO-K DN 100 ISO-F	DN 160 ISO-K DN 160 ISO-F	DN 100 CF-F	DN 160 CF-F
Outlet		DN 25 ISO-KF/G 1/4"		DN 25 ISO-KF/G 1/4"	
Venting connection		G 1/8"		G 1/8"	
Nominal rotation speed	Hz (1/min)	833 (50 000)		833 (50 000)	
Standby rotation speed	Hz (1/min)	550 (33 000)		550 (33 000)	
Start-up time	min	5,5		5,5	
Maximum noise level ¹⁾	dB (A)	50		50	
Final pressure, backing pump	mbar	< 5		< 5	
Integral leak rate (He) ²⁾	mbar l/s	< 1 · 10 ⁻⁷		< 1 · 10 ⁻⁷	
Maximum permissible rotor temperature	°C	90		90	
Permissible heat radiaten power	W	14		14	
Volum flow rate for:					
Nitrogen N ₂	l/s	290	510	290	510
Helium He	l/s	400	520	400	520
Hydrogen H ₂	l/s	380	450	380	450
Argon Ar	l/s	260	500	260	500
Compression ration for:					
N ₂		> 10 ¹²		> 10 ¹²	
He		5 · 10 ⁷		5 · 10 ⁷	
H ₂		6,5 · 10 ⁵		6,5 · 10 ⁵	
Ar		> 10 ¹²		> 10 ¹²	
Maximum fore-vacuum pressure					
N ₂	mbar	13,0		13,0	
He	mbar	12,5		12,5	
H ₂	mbar	9,0		9,0	
Ar	mbar	11,0		11,0	
Maximum gas throughput ³⁾ with water cooling					
N ₂	mbar l/s	4,0		4,0	
He	mbar l/s	8,0		8,0	
H ₂	mbar l/s	9,5		9,5	
Ar	mbar l/s	2,0		2,0	
Maximum gas throughput at intake pressure of 0.1 mbar ⁴⁾					
N ₂	mbar l/s	12,0		12,0	
He	mbar l/s	12,0		12,0	
H ₂	mbar l/s	8,0		8,0	
Ar	mbar l/s	12,0		12,0	
Vertex power characteristics line ⁵⁾					
A	W / Hz	185/833		185/833	
B	W / Hz	260/485		260/485	
C	W / Hz	160/833		160/833	
D	W / Hz	260/435		260/435	
Final pressure ⁶⁾					
with rotary vane pumps	mbar	< 1 · 10 ⁻⁷		< 5 · 10 ⁻¹⁰	
with diaphragm pumps	mbar	< 1 · 10 ⁻⁷		< 1 · 10 ⁻⁸	
Lubricant		TL 011		TL 011	
Cooling water consumption with water at 15 °C ⁷⁾	l/h	100		100	
Cooling water temperature	°C	5 - 25		5 - 25	
Permissible ambient temperature with air cooling	°C	0 - 35		0 - 35	
Heating power consumption	W	100		100	
Weight	kg	14,5 (ISO-K)/ 15,0 (ISO-F)	13,5 (ISO-K)/ 14,2 (ISO-F)	15,0	14,5
Permissible magnetic field	mT	5,0		5,0	
Operating voltage	VDC	72 ±5%		72 ±5%	
Duration ⁸⁾ / max. current consumption	A	3,2/4,2		3,2/4,2	
Duration ⁹⁾ / max. power	W	230/300		230/300	
Protection class ⁹⁾		IP 30		IP 30	
Shipping and storage temperature	°C	-25 to +55		-25 to +55	
Relative humidity	%	5-85 non condensing		5-85 non condensing	

1) Distance from the pump 1 m

2) Measured at a helium concentration of 100 %, 10 s measurement time

3) Measured with a rotary vane pump 1.5 m³/h; higher throughputs with reduced rotation speed.

4) Rotation speed of pump may drop below the nominal rotation speed.

5) For gas characteristics line please refer to Section 4.4.

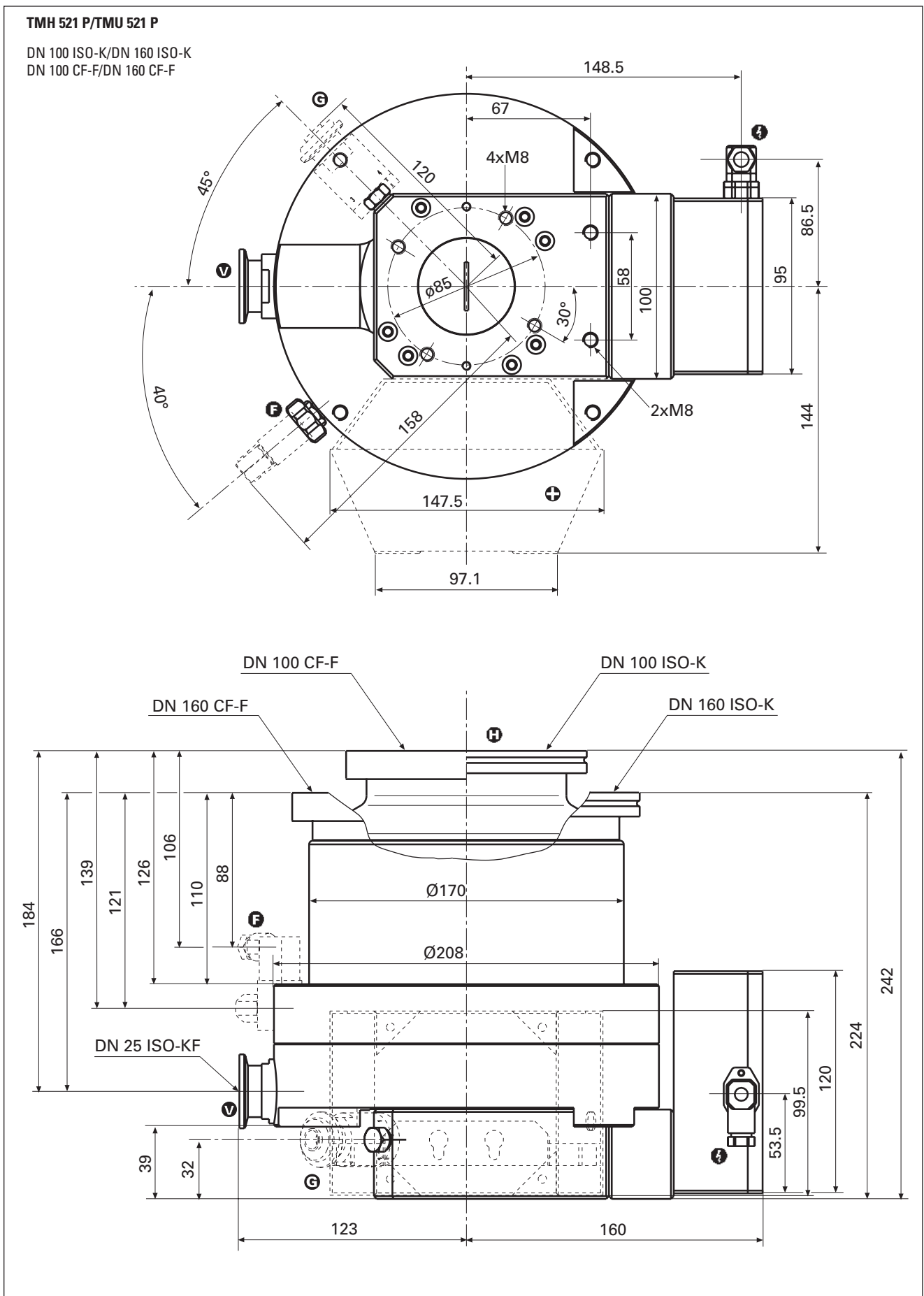
6) In accordance with German Industrial Standard 28428 the final pressure which is attained in a measuring dome 48 hours after baking out.

7) Please see type plate.

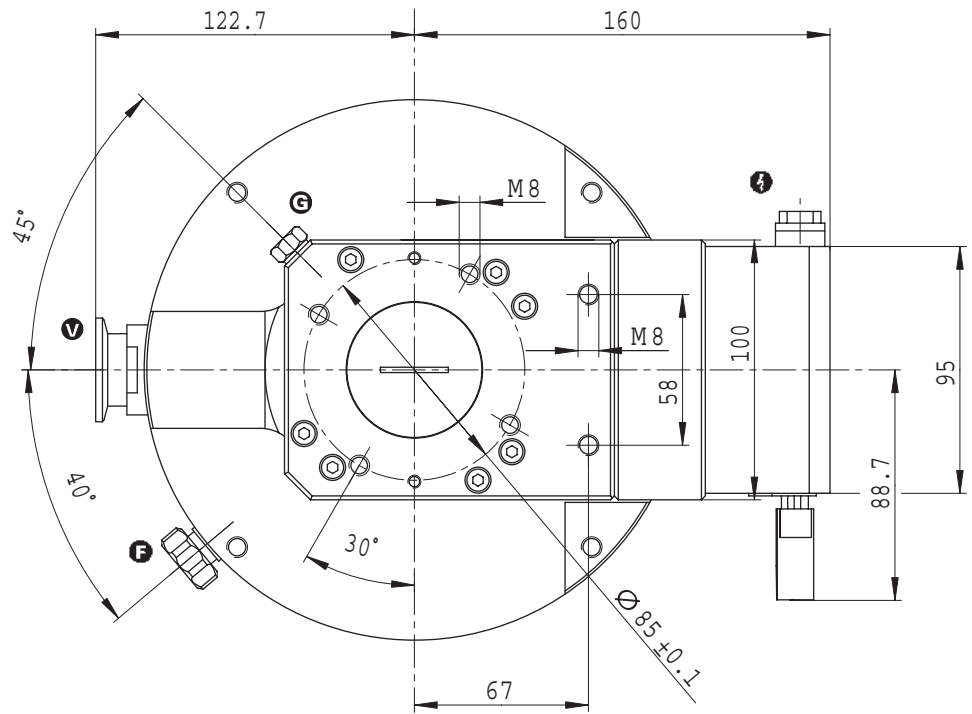
8) At maximum gas throughput

9) Protection class IP 54 is afforded for the Electronic Drive Unit TC 600 by refo-fitting a cover plate (please refer to Section 11. Accessories).

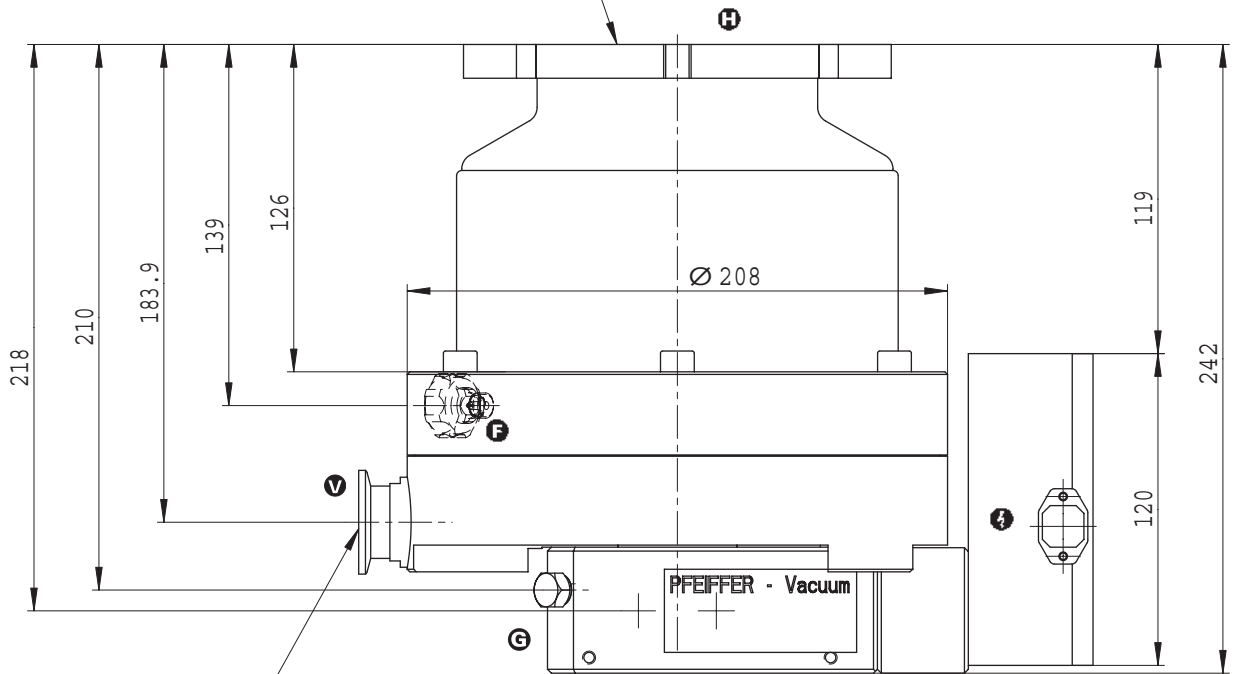
9.1. Dimensions Diagram



TMH 521 P
 DN 100 ISO-F



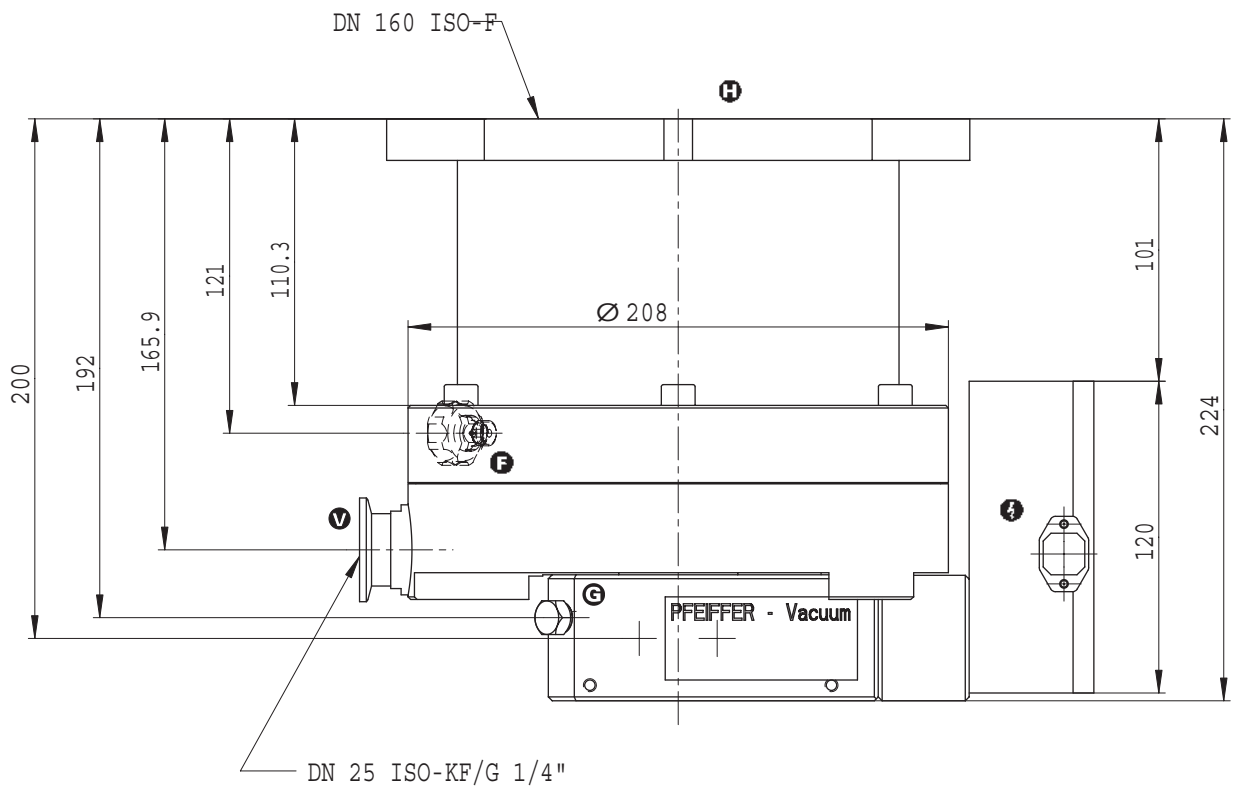
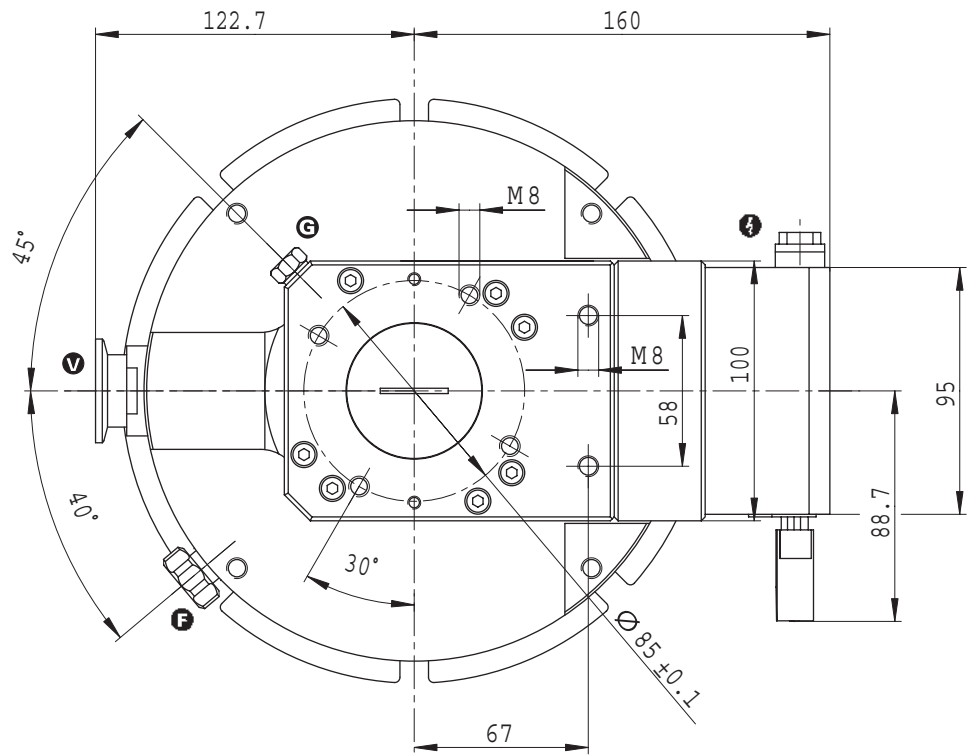
DN 100 ISO-F



DN 25 ISO-KF/G 1/4"

TMH 521 P

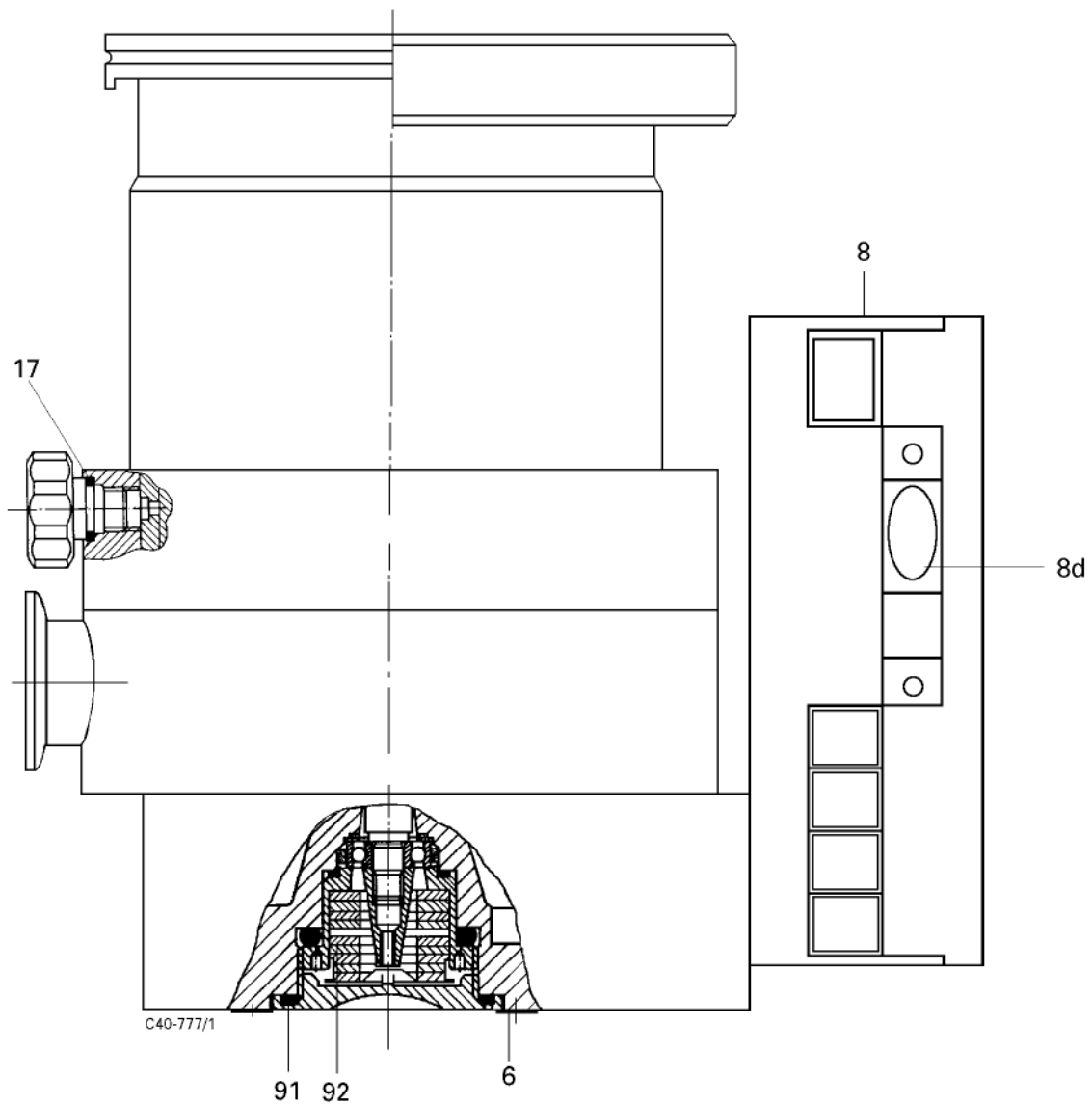
DN 160 ISO-F



10. Spare Parts

Pos.	Description	Pieces	Size	Number	Comments	Ordering Quantity
Spare Parts TMH 521 P/TMU 521 P						
6	Blanking plug	4		P 4098 582 FA	please see Sec. 7.2.	
8	Electronic Device Unit	1		PM C01 720		
8d	Remote plug	1		PM 051 793 -X		
17	USIT ring	1		P 3529 133 -A		
91	O-ring	1	38x3	P 4070 621 PV		
92	Lubricant reservoir	1		PM 063 265-T		

Spare parts



11. Accessories

Description	Size	Number	Comments/ Operating Instructions	Order Quantity
Components for cooling Dirt trap Recycled Water Cooling Unit TZK 400 Air cooling Water cooling	R 3/8" 230 V, 50 Hz 24 V DC	P 4161 300 2R PM Z01 245 PM Z01 251 PM 016 040 BT	PM 0369 BN PM 0543 BN PT 0152 BN	
Components for venting Venting Valve TVF 005, without current closed Drying Unit TTV 001 (filled with zeolite) Venting flange	24 V DC DN 10 ISO-KF	PM Z01 135 PM Z00 121 PM 033 737 -T	PM 0507 BN PM 0022 BN	
Components for heating Casing heating	 230 V, Schuko plug 208 V, UL-plug 115 V, UL-plug	 PM 051 096 -T PM 051 097 -T PM 051 098 -T	 Water cooling required/ PM 0542 BN PM 0542 BN PM 0542 BN	
Other accessories Connecting cable TC 600 – TPS/DCU Connecting cable TC 600 – TPS/DCU, screened Power supply – TPS 300; for fitting to walls or standard runners – TPS 300; 19" insert unit – DCU 300; 19" insert unit with Display and Operating Unit DCU 300 Mains cable Schuko plug UL plug UL plug Display and Operating Unit DCU 001 Display and Operating Unit HPU 001 Relay box, backing pump PWM adapter box Level Converter RS 232/485 Profibus DP Gateway TIC 250 Cover plate for TC 600 (IP 54) Vibration compensator TMH TMH TMU TMU Sealing gas valve Hose nipple for the sealing gas valve Fore-Vacuum Safety Valve TVV 001	 3 m 3 m 230 V 208 V 115 V 5 A 20 A DN 100 ISO-K DN 160 ISO-K DN 100 CF-F DN 160 CF-F DN 10 ISO-KF DN 16 ISO-KF-10 115 V 230 V	 PM 051 103 -T PM 051 843 -T PM 041 814 -T PM 041 820 -T PM C01 696 P 4564 309 ZA P 4564 309 ZF P 4564 309 ZE PM 041 816 -T PM 051 510 -T PM 041 937 -T PM 041 938 -T PM 051 028 -U PM 051 054 -T PM 051 257 -T PM 051 327 -T PM 006 459-X PM 006 492 -X PM 006 488-X PM 006 493 -X PM Z01 142 PF 144 020 PM Z01 206 PM Z01 205	 Other lengths on request Other lengths on request PM 0521 BN PM 0521 BN PM 0477 BN PM 0477 BN PT 0101 BN PT 0030 BN PT 0030 BN PM 0563 BN PM 0549 BN PM 0599 BN PT 0024 BN PM 0229 BN PM 0263 BN	

When ordering accessories and spare parts please be sure to state the full part number. When ordering spare parts please state additionally the unit type and unit number (see type plate). Please use this list as an order form (by taking a copy).

Declaration of Contamination of Vacuum Equipment and Components

The repair and/or service of vacuum components will only be carried out if a correctly completed declaration has been submitted. Non-completion will result in delay.

The manufacturer could refuse to accept any equipment without a declaration.

This declaration can only be completed and signed by authorised and qualified staff:

1. Description of component:

- Equipment type/model: _____
- Code No.: _____
- Serial No.: _____
- Invoice No.: _____
- Delivery Date: _____

2. Reason for return:

3. Equipment condition

- Has the equipment been used?
yes no
- What type of pump oil was used?

- Is the equipment free from potentially harmful substances?
yes (go to section 5)
no (go to section 4)

4. Process related contamination of equipment

- toxic yes no
- corrosive yes no
- microbiological hazard*) yes no
- explosive*) yes no
- radioactive*) yes no
- other harmful substances yes no

*) We will not accept delivery of any equipment that has been radioactively or microbiologically contaminated without written evidence of decontamination!

Please list all substances, gases and by-products which may have come into contact with the equipment:

Tradename Product name Manufacturer	Chemical name (or Symbol)	Danger class	Precautions associated with substance	Action if spillage or human contact
1.				
2.				
3.				
4.				
5.				

5. Legally Binding Declaration

I hereby declare that the information supplied on this form is complete and accurate. The despatch of equipment will be in accordance with the appropriate regulations covering Packaging, Transportation and Labelling of Dangerous Substances.

Name of Organisation: _____

Address: _____ Post code: _____

Tel.: _____

Fax: _____ Telex: _____

Name: _____

Job title: _____

Date: _____ Company stamp: _____

Legally binding signature: _____

Herstellererklärung Manufacturer's Declaration

im Sinne folgender EU-Richtlinien:
pursuant to the following EU directives:

- **Maschinen/Machinery 98/37/EWG (Anhang/Annex II B)**
- **Elektromagnetische Verträglichkeit/Electromagnetic Compatibility 89/336/EWG**
- **Niederspannung/Low Voltage 73/23/EWG**

Hiermit erklären wir, dass das unten aufgeführte Produkt zum Einbau in eine Maschine bestimmt ist und dass deren Inbetriebnahme so lange untersagt ist, bis festgestellt wurde, dass das Endprodukt den Bestimmungen der EU-Richtlinie 98/37/EWG entspricht.

Das unten aufgeführte Produkt entspricht den Anforderungen der EU-Richtlinien **Maschinen 98/37/EWG, Elektromagnetische Verträglichkeit 89/336/EWG** und **Niederspannung 73/23/EWG**.

We hereby certify that the product specified below is intended for installation in a machine which is forbidden to be put into operation until such time as it has been determined that the end product is in accordance with the provision of EU Directive 98/37/EEC.

*The product specified below is in correspondence to the EU directives **Machinery 98/37/EEC, Electromagnetic Compatibility 89/336/EEC** and **EU Low Voltage 73/23/EEC**.*

Produkt/Product:

**TMH 521 P
TMU 521 P**

Angewendete Richtlinien, harmonisierte Normen und angewendete nationale Normen:

Guidelines, harmonised standards, national standards in which have been applied:

**EN 12100-1, EN 12100-2, EN 294,
EN 1012-2, EN 61010**

Unterschrift/Signature:



Pfeiffer Vacuum GmbH
Berliner Str. 43
35614 Asslar
Germany

(W. Dondorf)
Geschäftsführer
Managing Director

Herst.l/2003

Vacuum is nothing, but everything to us!



Turbo Pumps



Rotary Vane Vacuum Pumps



Roots Pumps



Dry Vacuum Pumps



Leak Test Units



Valves



Flanges, Feedthroughs



Vacuum Measurement



Gas Analysis



System Technology



Service

PFEIFFER  **VACUUM**

Pfeiffer Vacuum Technology AG · Headquarters/Germany

Tel. +49-(0) 64 41-8 02-0 · Fax +49-(0) 64 41-8 02-2 02 · info@pfeiffer-vacuum.de · www.pfeiffer-vacuum.net